

1077

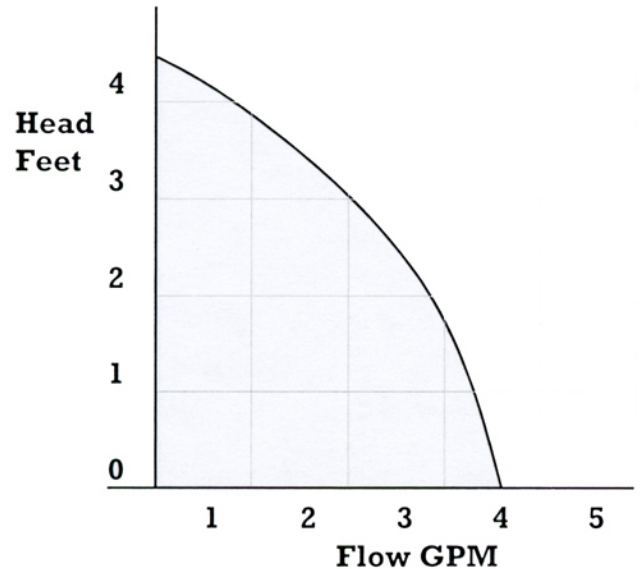


Electric driven centrifugal pump designed for low flow applications. Stainless endplate and discharge tube. Lightweight. The nylon coated column makes this pump easy to clean. It is available with a 9" lid for a 2 gallon container or an 11" hinged lid (shown) for a 3 gallon container.

Rotation ** Important

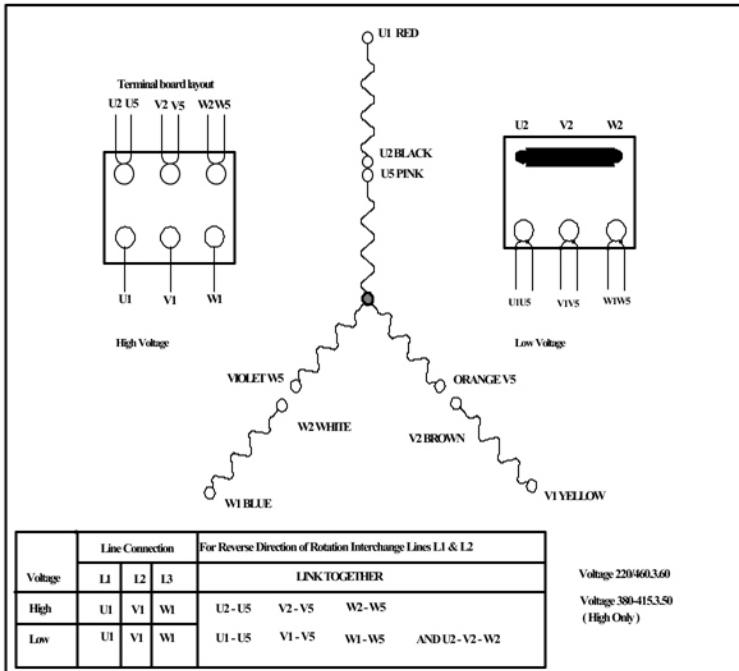
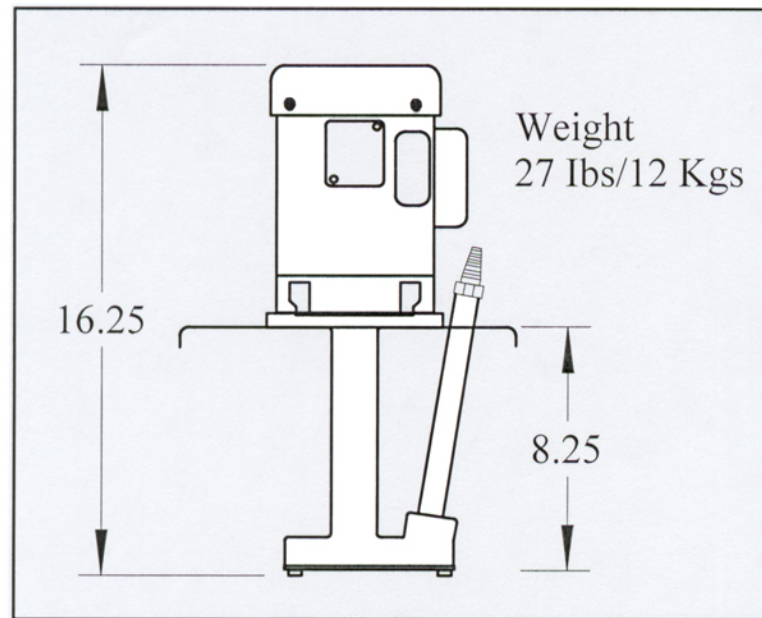



The motor fan should run CW



Parts

- 091 Impeller
- 006 Nylon coated column
- 015 Stainless Shaft
- 021 End plate
- 1-18 Gasket
- 031 11" lid
- 038 9" lid
- 6-1077 Electric 1/4 HP motor
- 071 Discharge tube
- 1015-5 Ball valve
- 1013-5 Hosetail





Powerwise Ink Pumps

<p>48 Davies Avenue Heald Green, Cheadle Cheshire SK8 3PG England Tel: 0161 498 9419 Fax: 0161 437 4936</p>	<p>2700 West 21st St Erie PA 16506 USA Tel: 814 833 3715 Fax: 814 838 3850</p>
www.powerwise.com	sales@powerwise.com