

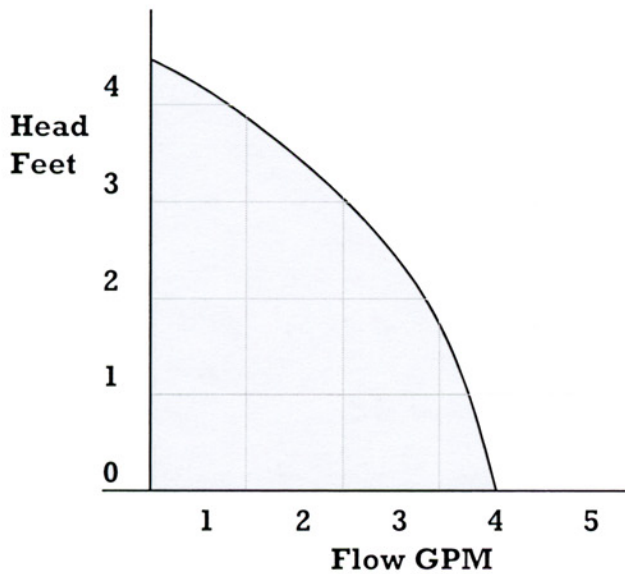
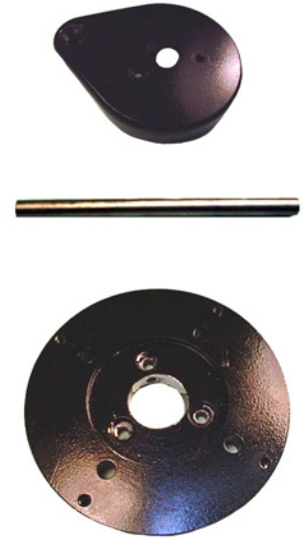
1192



Electric driven centrifugal pump designed for low flow applications. Stainless steel rods, endplate and discharge tube. Delrin vollute. Lightweight and easy to clean. This pump is available with a 9" lid for a 2 gallon container or an 11" hinged lid (shown) for a 3 gallon container.

Parts

- 091 Impeller
- 026 Vollute
- 01609 Shaft
- 021 End plate
- 1-18 Gasket
- 00309 Rod(3)
- 031 11" lid
- 038 9" lid
- 105 Mounting ring
- 6-1092 Electric 1/4 HP motor
- 071 Discharge tube
- 1015-5 Ball valve
- 1013-5 Hosetail
- 1000-1 Air inlet valve



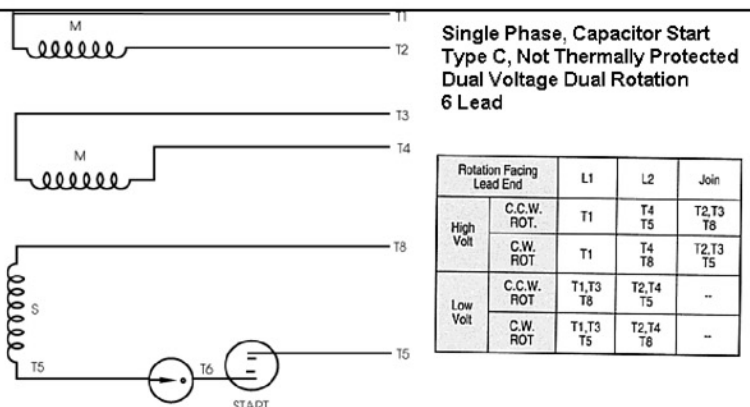
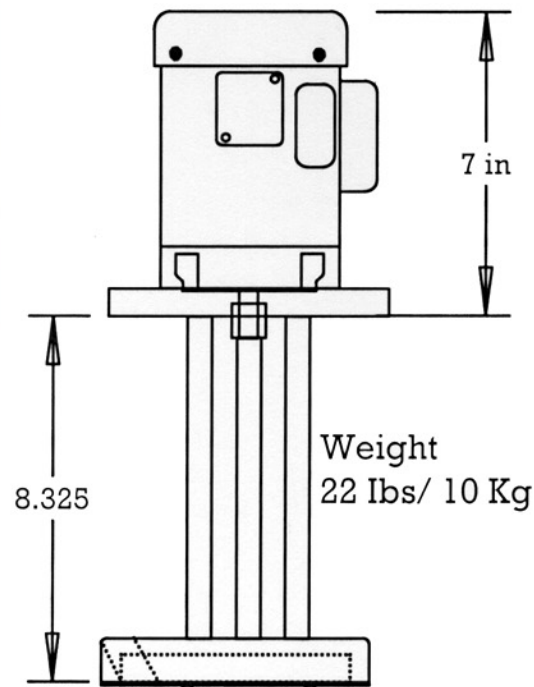
Rotation ** Important



The motor fan should run CW



Stainless steel containers are available for the 11" hinged lid. Complete with handles and a cover. Model 84140 shown.



Rotation Facing Lead End		L1	L2	Join
High Volt	C.C.W. ROT.	T1	T4 T5	T2,T3 T8
	C.W. ROT	T1	T4 T8	T2,T3 T5
Low Volt	C.C.W. ROT	T1,T3 T8	T2,T4 T5	--
	C.W. ROT	T1,T3 T5	T2,T4 T8	--

Powerwise Ink Pumps

2700 West 21st Street, Erie, PA 16506 USA
 Tel: 814 833 3715 Fax : 814 838 3850
 e:mail:sales@powerwise.com
 Website www.powerwise.com