

7005 Air Driven Drum Mixer



Air motor driven mixer. Designed for bung entry for drums and other vessels. The folding propeller allows the mixer easy entry through the hole in the lid. The mounting clamp is secured to the drum rim. The adjustable rubber mounts sit on top of the drum. Two standard size propellers are available 4"(100mm) and 7"(175mm). All stainless steel construction with an epoxy coated heavy duty clamp.

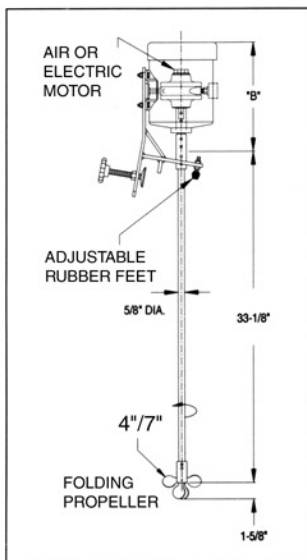


Complete Mixers

7005-4
7005-7

Air Motor Driven Drum Mixer with 4" (100mm) Folding propeller
Air Motor Driven Drum Mixer with 7" (175mm) Folding propeller

DIMENSIONS



The closed propeller is for bung entry.

The propeller opens with centrifugal force.



Assembly Instructions.

- 1 Bolt motor to clamp assembly using the enclosed hardware
- 2 Attach coupling to motor shaft using setscrews. Note attach the end of the coupling with the two setscrews spaced closely together to the motor.
- 3 Attach propeller to the round end of the mixer shaft.
- 4 Insert end of shaft with flat into the coupling and tighten setscrews.
- 5 Recheck all hardware for proper tightening.
- 6 Lower the mixer into drum or vessel and clamp the mixer to the drum rim using the handwheel.
- 7 Adjust the height of the rubber mounts if required.

Parts

- 6-7005 Air Motor 1/2 HP (0.37Kw)
7021 SS Collar for Motor Drive Shaft
7022 Folding Propeller 4" (100mm)
7023 Epoxy Coated Fabricated Steel Mounting Clamp C/w Handwheel 7025 & Rubber Mounts 7024
7024 Rubber Leveling Mounts (2 per clamp)
7025 Cast Handwheel
7026 Folding Propeller 7" (175mm)
01055 Stainless Steel Mixer Shaft



48 Davies Avenue
Heald Green, Cheadle
Cheshire SK8 3PG
England
Tel: 0161 498 9419
Fax: 0161 437 4936

2700 West 21st St
Erie PA 16506
USA
Tel: 814 833 3715
Fax: 814 838 3850

www.powerwise.com

sales@powerwise.com