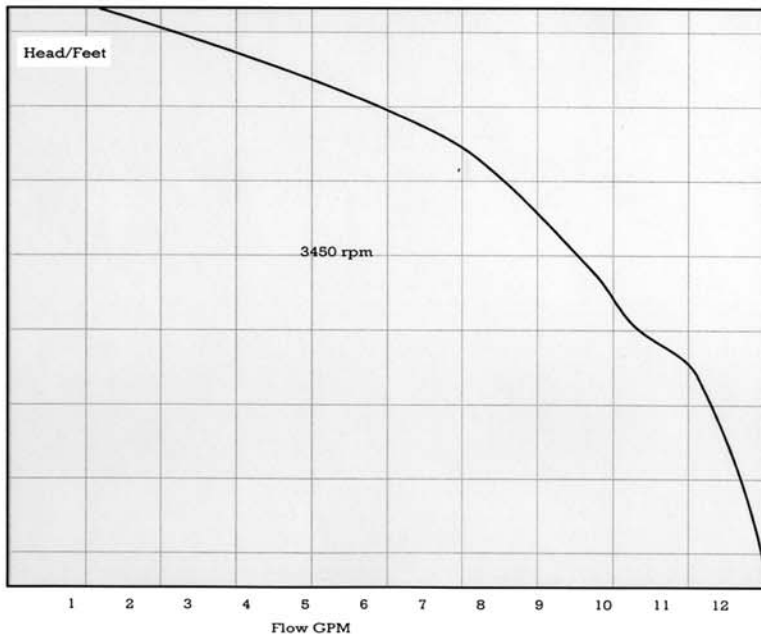


2090

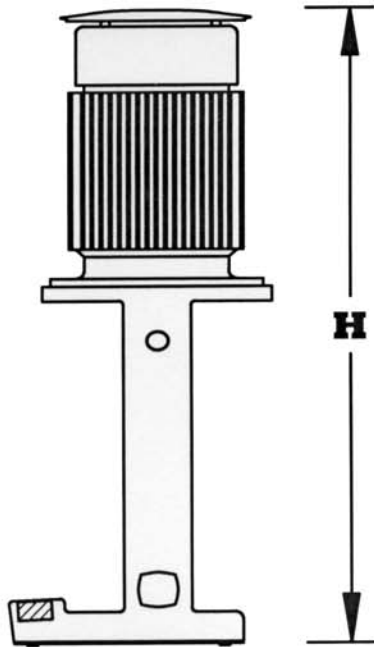


**Electric motor driven single phase ink pump. 110/220-1-60 voltage. UL/FM/CSA approved explosion-proof motor. Fan cooled & Lightweight. Nylon coated column for easy cleaning. Full flow bypass/mixing system. Stainless steel hinged lid, discharge tube, extension shaft and end plate. 5 gallon container included.**



**Parts**

- 022 Stainless end plate
- 1-16 Gasket
- 004 Nylon coated column
- 083 Handle
- 091 Impeller
- 018 Stainless shaft
- 075 Stud coupling (2)
- 072 Stainless discharge tube
- 034 Stainless hinged lid
- 073 Bypass
- 101 Ball Valve (2)
- 074 Return tube
- 076 Backnut (2)
- 1029 Hosetail
- 6-2090 Electric Motor

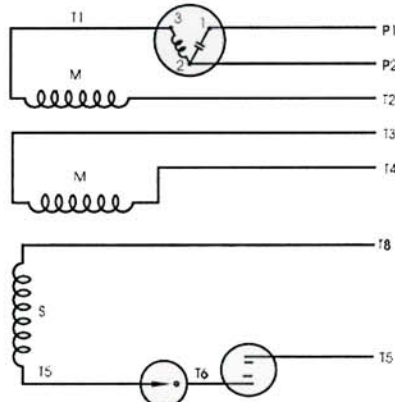


Model	In	mm	Ibs	Kg
2081	21.5	550	37	17
2082	24	605	41	19
2084	23.5	595	44	20
2086	23.75	600	39	18
2090	23.5	595	47	21

**Rotation \*\* Important**  

**The motor fan should run CW**

**Connection Diagram**



**Single Phase, Capacitor Start  
 Type C, Thermally Protected  
 Dual Voltage Dual Rotation  
 7 Lead**

Rotation Facing Lead End	L1	L2	Join	Insulate Separately
High Volt C.C.W. ROT.	P1	T4 T5	T2,T3 T8	P2
C.W. ROT	P1	T4 T8	T2,T3 T5	P2
Low Volt C.C.W. ROT	P1	T2,T4 T5	P2, T3 T8	--
C.W. ROT	P1	T2,T4 T8	P2, T3 T5	--

This information is for general reference. For details, please contact your Powerwise Office. Specifications and prices subject to change without notice.