



Air-Powered Gearmotors

Powerwise Ink Pumps
2700 West 21st St. Erie PA 16506

1AM and 1UP Series, 15:1 reduction, 10 – 95 lbs. in. (1 – 11 Nm) torque at 40 rpm (minimum speed reduction)

MODEL

1AM-NRV-56-GR11

(4 Vanes, Reversible)

1AM-NRV-60-GR11

(8 Vanes, Reversible)

Net wt. 5 lbs. (2,3 kg)

FEATURES

- 15:1 gear reducer
- Face mounting
- Horizontal or shaft down operation
- Muffler AF350 (shown in photo)

RECOMMENDED

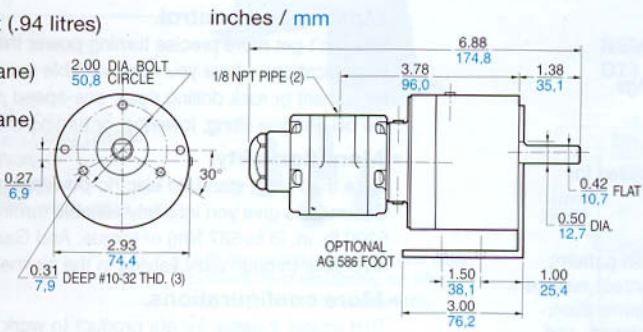
- Filter AH100F
- Regulator AH101R
- Gauge AA807
- Lubricator AH102L
- Oil AD220 – 1 quart (.94 litres)
- Repair kit K278 (Air motor only, 8 Vane)
- Repair kit K201 (Air motor only, 4 Vane)

OPTIONAL

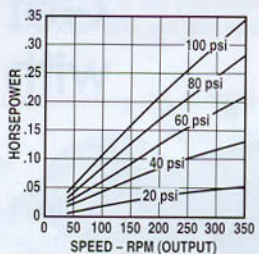
- Muffler AL444 (for additional noise reduction) see pages 6, 8



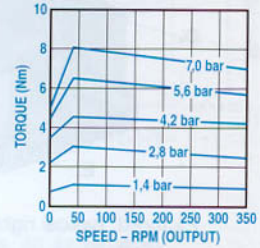
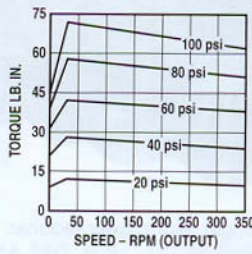
Max. allowable end thrust with 0 overhung load is 100 lbs. (45,0 kg). Max. overhung load with 0 end thrust from 100 lbs. (45,0 kg) at 333 rpm to 200 lbs. (90,0 kg) at 33,3 rpm.



Output Power vs. Speed



Torque vs. Speed



Air Consumption vs. Speed

