

8083

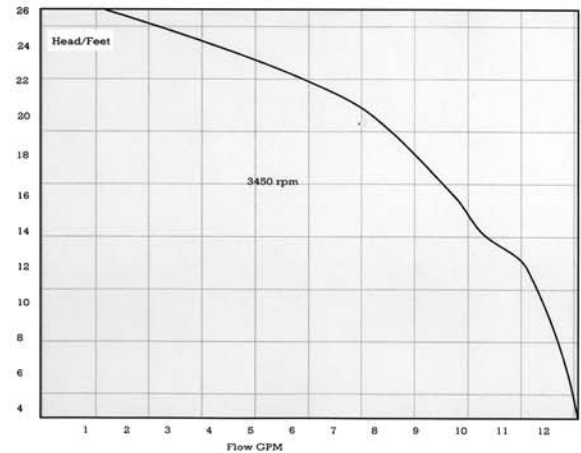
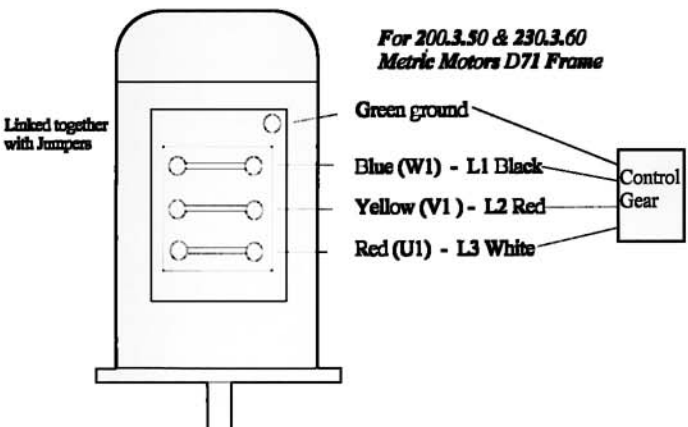
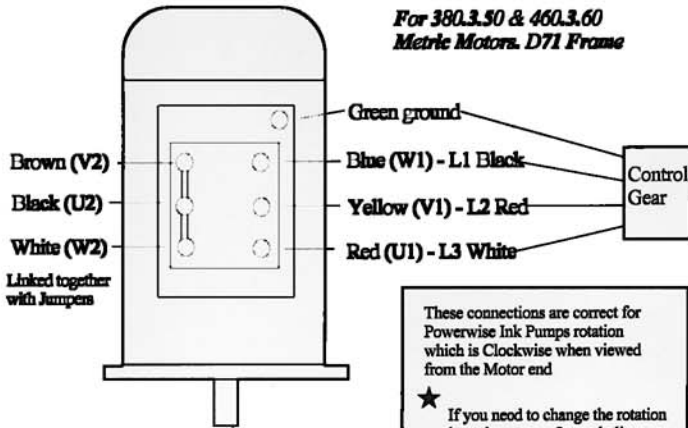


REV C models are fitted with an air space adapter Elevates the motor away from spillage.

Centrifugal Ink Pump designed to fit the Langston press system. 1/2HP 3400 RPM TEFC motor. Nylon coated column, stainless steel shaft and end plate.

Parts

- 022 Stainless end plate
- 1-16 Gasket
- 007 Nylon coated column
- 091 Impeller
- 01771 Stainless shaft
- 6-8080 Electric Motor
- 037L Air space adapter
- 1033 Slinger

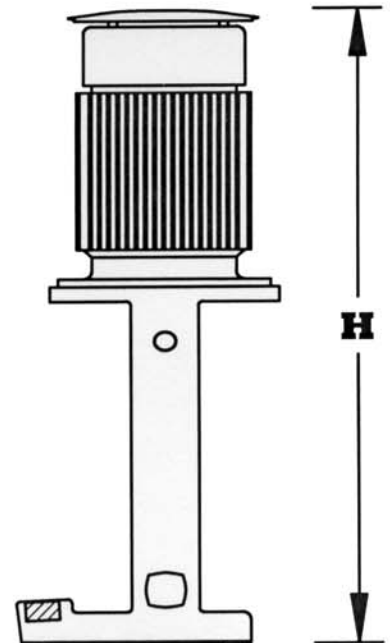


Rotation ** Important



The motor fan should run CW

Model	In	mm	Ibs	Kg
8083	23.75	600	39	18



Powerwise Ink Pumps

2700 West 21st Street, Erie, PA 16506 USA
 Tel: 814 833 3715 Fax : 814 838 3850
 e-mail:sales@powerwise.com
 Website www.powerwise.com